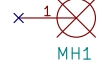


## Crazyflie 2.0 holes

MOUNTING\_HOLE\_WITH\_PAD



MH1

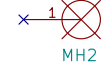
MOUNTING\_HOLE\_WITH\_PAD



MH4

## 30.5mm square M3

MOUNTING\_HOLE\_WITH\_PAD



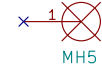
MH2

MOUNTING\_HOLE\_WITH\_PAD



MH3

MOUNTING\_HOLE\_WITH\_PAD

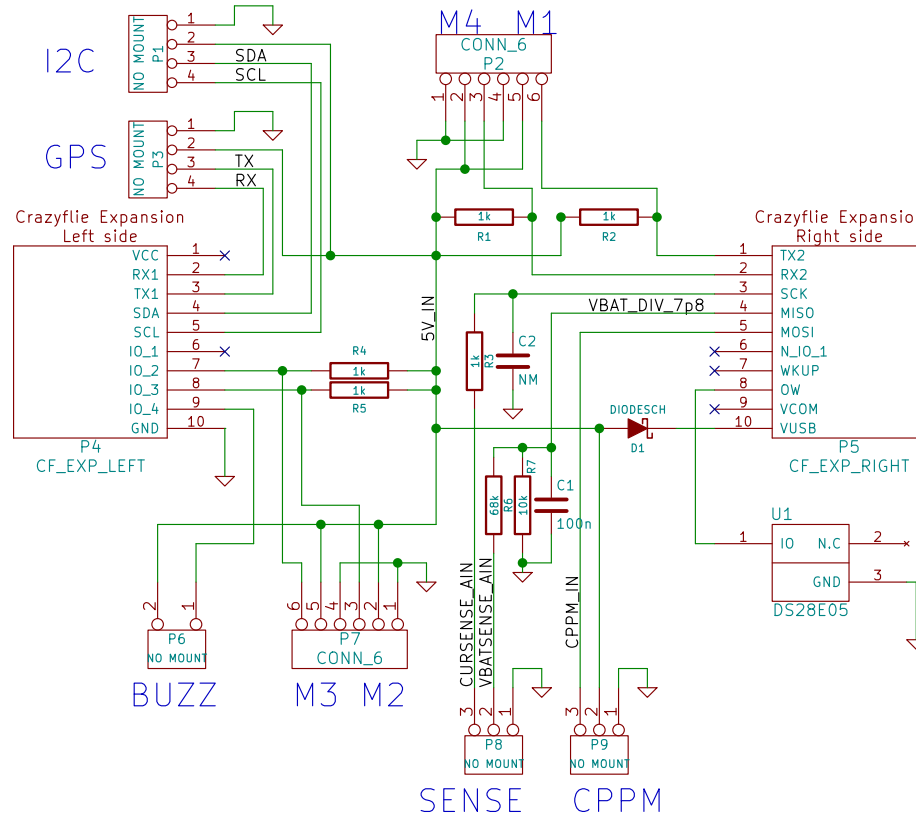


MH5

MOUNTING\_HOLE\_WITH\_PAD



MH6



Please note the following about the Crazyflie expansion connectors:

- \* VCOM is power directly from the battery/USB and is not regulated
- \* VCC is regulated to 3.0V
- \* VUSB is connected directly to the USB which means this will supply at 4.5-5.5V when the USB is connected and can be used for charging the battery when the USB is not connected



Licensed under CC-BY-NC-SA 4.0

Bitcraze AB

Sheet: /

File: big-quad.sch

**Title: Crazyflie 2.0: Big quad deck**

Size: A4 Date: 2015-12-07

KiCad E.D.A. kicad 4.0.2-4+622538ubuntu15.10.1-stable

Rev: C

Id: 1/1