



Debug adapter

SKU: 114990118

This adapter is used to convert a number of standard connectors into the debug connector that is used on Bitcraze products.



1. Introduction

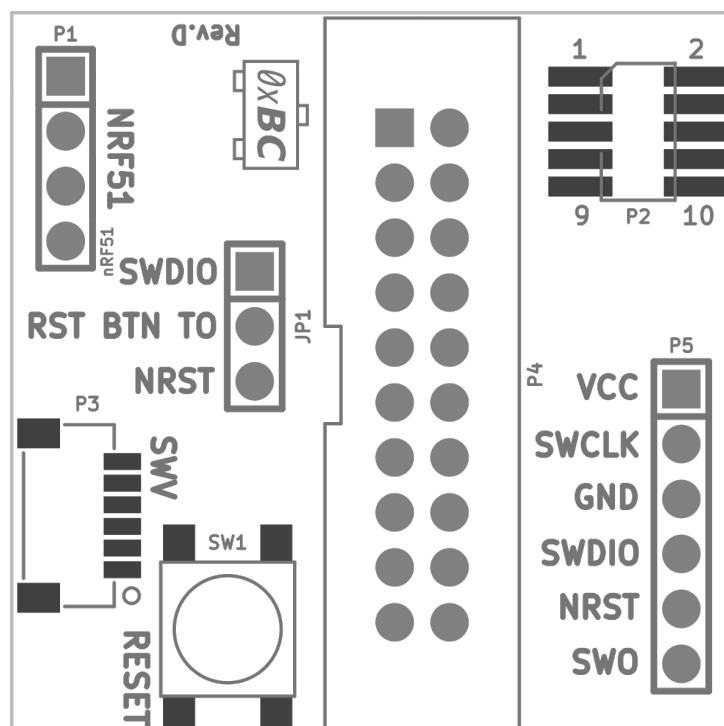
Due to the small size of our platform there are limitations in what connectors we can have and therefore we designed a debug-adapter kit that makes connecting a debugger to either of the MCUs a lot easier, by converting the connector pinouts to standard JTAG and SWD pinouts.

2. Features

- Includes everything needed to easily debug the MCUs (STM32F4 and nRF51)
- Multiple debug pinouts supported (including 20-pin JTAG and 10-pin Cortex debug)

3. Electrical specification

- Supported debugger pinouts:
 - Custom pinout that matches ST Discovery board debug interfaces (P5)
 - Standard Cortex SWV debug 2x6 1.27mm (50mil) SWV interface (P2)
 - Standard 2x10 2.54mm (100mil) JTAG interface (P4)
- Has reset button with jumper for reset support on either STM32F4 and nRF51 (SW1)
- Converts to the Bitcraze standard debug connector (P3)



4. Package contents

- 1 x Crazyflie 2.X debug adapter
- 1 x nRF51 debug connector
- 1 x Nylon screw and nut for nRF51 debug connector
- 1 x 6-pin debug cable for connecting to the Crazyflie 2.X

5. Errata

6. Hardware revisions

Revision	Comment
D	Initial release

7. History

Version	Comment	Date
1	Initial release	2020-04-01