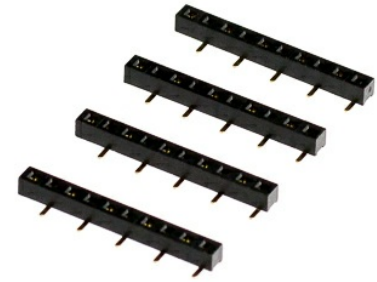




Female deck connector

SKU: 110990442

Use these female deck connectors for designing your own decks that are compatible with the Crazyflie 2.X.



1. Introduction

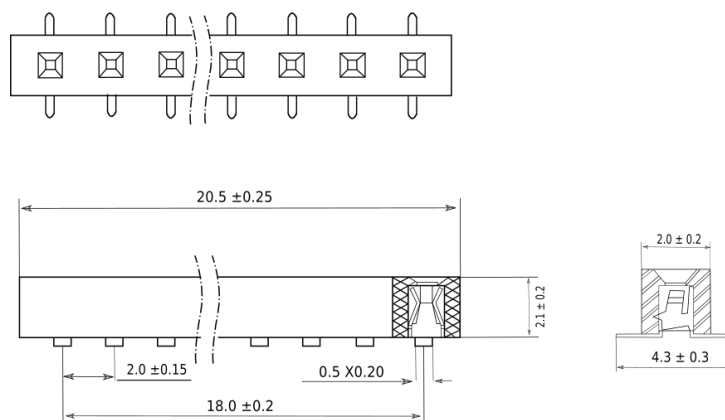
After prototyping your own hardware for the Crazyflie 2.X you might be interested in designing your own expansion deck. To make that easier we supply the female header that is used for all our decks to ensure compatibility with the current system.

2. Electrical specification

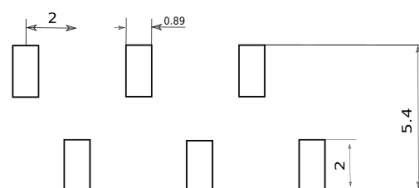
- Current rating: 1.5 A max
- Voltage rating: AC 500V
- Insulation resistance: 1000M Ω min
- Contact resistance: 20m Ω max

3. Mechanical specification

- Number of positions: 10
- Weight: 0.2g
- Size (WxHxD): 20x2x3mm (without SMD pads)



PCB LAYOUT



4. Package contents

- 4 x Female deck connector

5. History

Version	Comment	Date
1	Initial release	2020-05-14